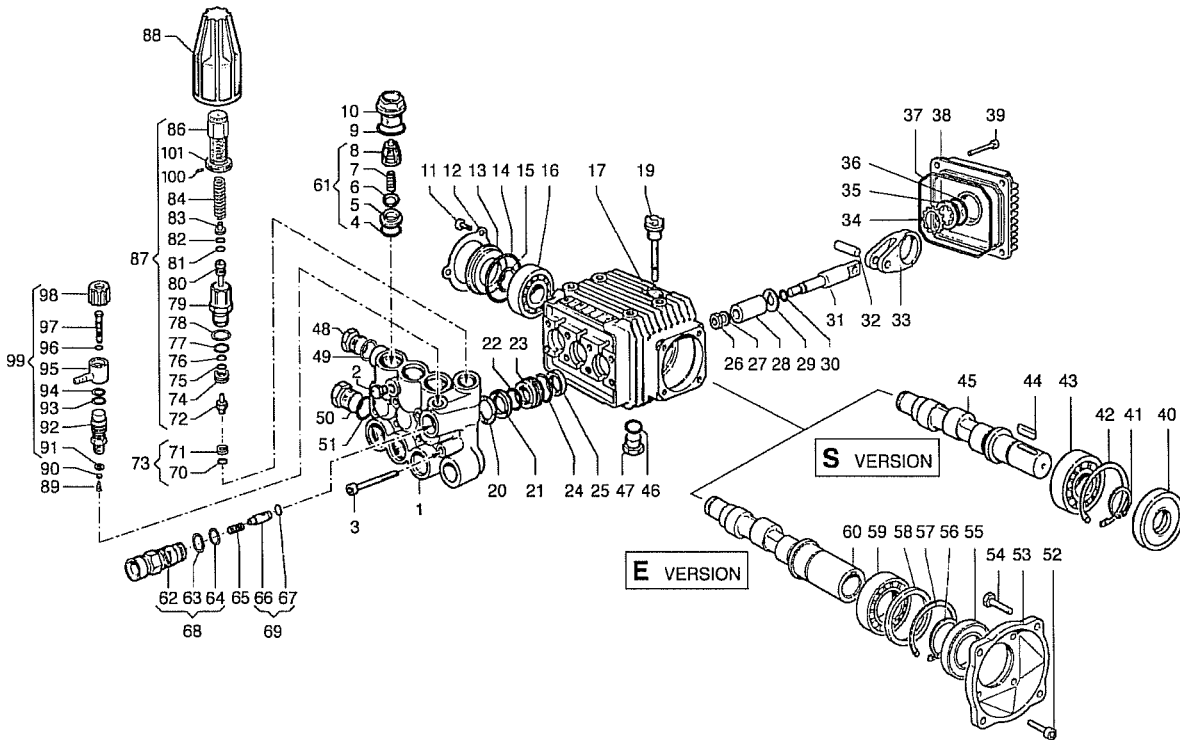


# LWS-K VERSION - 1750 RPM



POS. ITEM	CODICE PART No.	KIT KIT	DESCRIZIONE DESCRIPTION	Q.tà Qty.	MODELLI MODELS
1	3218.0112.00		MANIFOLD Ø 15 mm	1	2010 E - 2020 S
	3218.0113.00		MANIFOLD Ø 18 mm	1	3015 S - 3019 S 3025 S - 3517 S 3525 S - 4020 S
2	3202.0018.00		CAP G1/8	1	
3	3609.0108.00		SCREW M6X55	8	2010 E - 2020 S 3015 S - 3019 S 3517 S
	3609.0152.00		SCREW M6X55	8	3025 S - 3525 S 4020 S
4	1210.0046.00	A-D	O-RING 2,62X 17,13 mm	6	
5	3009.0087.00	A	VALVE SEAT	6	
6	3604.0017.00	A	VALVE PLATE	6	
7	1802.0177.00	A	SPRING	6	
8	1205.0025.00	A	VALVE GUIDE	6	
9	1210.0048.00	A-D	O-RING 2,62X 20,24 mm	6	
10	3202.0155.00		CAP	6	
11	3609.0088.00		SCREW M5X10	3	
12	1004.0012.00		CRANKCASE COVER	1	
13	0402.0172.00		SPACER	1	
14	1210.0386.00	D	O-RING 3,53X44,04 mm	1	
15	3019.0011.00		SNAP RING	1	
16	0438.0066.00		BALL BEARING 20X52X15 mm	1	2010 E - 2020 S 3015 S - 3019 S 3517 S
	0438.0069.00		BALL BEARING 20X52X15 mm	1	3025 S - 3525 S 4020 S
17	0403.0128.00		CRANKCASE	1	
19	3200.0051.00		OIL DIPSTICK	1	
20	0009.0196.00	B	HEAD RING Ø15 mm	3	2010 E - 2020 S
	0009.0193.00	B	HEAD RING Ø18 mm	3	3015 S - 3019 S 3025 S - 3517 S 3525 S - 4020 S
21	1241.0034.00	B	PACKING Ø15 mm	3	2010 E - 2020 S
	1241.0035.00	B	PACKING Ø18 mm	3	3015 S - 3019 S 3025 S - 3517 S 3525 S - 4020 S
22	1241.0030.00	B	PACKING 15X22X5,5 mm	3	2010 E - 2020 S
	1241.0028.00	B	PACKING 18X25X5,5 mm	3	3015 S - 3019 S 3025 S - 3517 S 3525 S - 4020 S
23	0009.0198.00		PACKING RETAINER Ø15 mm	3	2010 E - 2020 S
	0009.0197.00		PACKING RETAINER Ø18 mm	3	3015 S - 3019 S 3025 S - 3517 S 3525 S - 4020 S
24	1210.0223.00	B-D	O-RING 1,78X26,7 mm	3	
25	0019.0095.00	D	OIL SEAL 15X24X5 mm	3	
26	0600.0048.00	C	NUT	3	

POS. ITEM	CODICE PART No.	KIT KIT	DESCRIZIONE DESCRIPTION	Q.tà Qty.	MODELLI MODELS
27	2811.0080.00	C	WASHER 8,2X14X1,5 mm	3	
28	0202.0018.00	C	PISTON Ø18 mm	3	3015 S - 3019 S 3025 S - 3517 S 3525 S - 4020 S
	0202.0020.00	C	PISTON Ø15 mm	3	2010 E - 2020 S
29	2812.0038.00	C	WASHER	3	
30	1210.0055.00	C-D	O-RING 1,78X 6,07 mm	3	
31	2409.0044.00		PISTON GUIDES	3	
32	3011.0014.00		WRIST PIN	3	
33	0205.0048.00		CON. ROD	3	2010 E - 2020 S
	0205.0050.00		CON. ROD	3	3015 S - 3019 S 3025 S - 3517 S 3525 S - 4020 S
34	3019.0033.00		SNAP RING	1	
35	3201.0010.00		OIL INDICATOR	1	
36	1210.0333.00	D	O-RING 1,78X23,52 mm	1	
37	1210.0206.00	D	O-RING 2,62X101,27 mm	1	
38	0402.0142.00		CRANKCASE COVER	1	
39	3609.0041.00		SCREW M6X25	4	
46	1210.0441.00	D	O-RING 2X14 mm	1	
47	3200.0007.00		CAP 3/8GAS OT58	1	
48	3200.0007.00		CAP 3/8GAS OT58	1	
49	2811.0084.00		WASHER 16,7X22X1,5 mm	1	
50	3202.0015.00		CAP G1/2	1	
51	2811.0086.00		WASHER 21,2X27X1,5 mm	1	
61	1220.0030.00		VALVE ASS. BLY.	6	
62	3410.0290.00	E	INJECTOR BODY M22x1,5	1	
	3410.0288.00	E	INJECTOR BODY 3/8" NPT	1	
63	1210.0398.00	E-F	O-RING	1	
64	1210.0402.00	E-F	O-RING	1	
65	1802.0179.00	E	SPRING	1	
66	2409.0076.00	E	CHECK VALVE	1	
67	1210.0397.00	E-F	O-RING	1	
68	3410.0289.00		INJECTOR BODY KIT M22x1,5	1	
	3410.0287.00		INJECTOR BODY KIT 3/8" NPT	1	
69	2409.0075.00		CHECK VALVE KIT	1	
70	1210.0403.00	E-F	O-RING 1,78X8,73 mm VT	1	
71	3009.0122.00	E-F	VALVE SEAT	1	
72	3002.0508.00	E-F	HOUSING WITH BALL	1	
73	3009.0013.00		SEAT KIT	1	
74	0009.0204.00	E-F	RING	1	
75	0009.0205.00	E-F	BACK RING	1	
76	1210.0405.00	E-F	O-RING	1	
77	1210.0404.00	E-F	O-RING	1	
78	1210.0407.00	E-F	O-RING	1	
79	0204.0045.00	E	HOUSING	1	

# LWS-K VERSION - 1750 RPM

POS. ITEM	CODICE PART No.	KIT KIT	DESCRIZIONE DESCRIPTION	Q.tà Qty.	MODELLI MODELS
80	2409.0077.00	E-F	PISTON ROD	1	
81	1210.0406.00	E-F	O-RING	1	
82	0009.0206.00	E-F	BACK-UP RING	1	
83	0009.0207.00	E	SEAT	1	
84	1802.0181.00	E	SPRING	1	2010 E - 3015 S 3019 S - 3517 S
	1802.0182.00	E	SPRING	1	3025 S - 3525 S 4020 S
86	0204.0043.00	E	ADJUSTABLE KNOB	1	2010 E - 3015 S 3019 S - 3517 S
	0204.0046.00	E	ADJUSTABLE KNOB	1	3025 S - 3525 S 4020 S
87	1215.0213.00		PRESS. VALVE KIT 1885 p.s.i.	1	2010 E - 3015 S 3019 S - 3517 S
	1215.0218.00		PRESS. VALVE KIT 2610 p.s.i.	1	3025 S - 3525 S 4020 S
88	1817.0045.00		HANDLE	1	
89	1802.0180.00		SPRING	1	
90	3003.0026.00		BALL	1	
91	2812.0067.00		WASHER	1	
92	2803.0373.00		NIPPLE	1	
93	1210.0401.00		O-RING	1	
94	1210.0399.00		O-RING	1	
95	2801.0060.00		HOSE BARB FITTING	1	
96	1210.0400.00		O-RING	1	
97	0015.0171.00		ROD	1	
98	1817.0046.00		CHEMICAL KNOB	1	
99	3301.0543.00		ADJUSTABLE INJECTOR KIT	1	
100	3622.0030.00	E	STOP ADJUSTABLE NUT M4X4	1	
101	1227.0022.00	E	NUT	1	

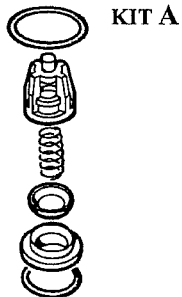
## S version

POS. ITEM	CODICE PART No.	KIT KIT	DESCRIZIONE DESCRIPTION	Q.tà Qty.	MODELLI MODELS
40	0019.0094.00	D	OIL SEAL 25X62X70/7 mm	1	
41	3019.0006.00		SNAP RING C72	1	
42	3020.0012.00		SNAP RING C72	1	
43	0438.0071.00		BALL BEARING 25X62X17 mm	1	3025 S - 3525 S 4020 S
	0438.0075.00		BALL BEARING 25X62X17 mm	1	2020 S - 3015 S 3019 S - 3517 S
44	1602.0045.00		KEY 8X7X25 mm	1	
45	0001.0290.00		CRANKSHAFT Ø24 mm	1	3517 S - 3525 S
	0001.0294.00		CRANKSHAFT Ø24 mm	1	4020 S
	0001.0333.00		CRANKSHAFT Ø24 mm	1	2020 S - 3015 S 3019 S - 3025 S

## E version

POS. ITEM	CODICE PART No.	KIT KIT	DESCRIZIONE DESCRIPTION	Q.tà Qty.	MODELLI MODELS
52	3609.0032.00		SCREW M6X20	4	
53	3016.0016.00		FLANGE	1	
54	3607.0200.00		SCREW 3/8"16X3/4"	4	
55	0019.0075.00	D	OIL SEAL 35X62X 7 mm	1	
56	3019.0004.00		SNAP RING C72	1	
57	3020.0012.00		SNAP RING C72	1	
58	2812.0064.00		WASHER	1	
59	0438.0015.00		BALL BEARING 35X62X14 mm	1	
60	0001.0338.00		CRANKSHAFT 5/8"	1	

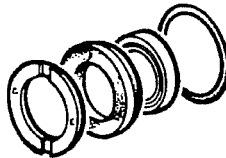
**KIT VALVOLA ASP-MAND. COMPLETE VALVE KIT**  
5025.0011.00



POS. ITEM	CODICE PART No.	Q.tà Qty.
4	1210.0046.00	6
5	3009.0087.00	6
6	3604.0017.00	6
7	1802.0177.00	6
8	1205.0025.00	6
9	1210.0048.00	6

**KIT GUARNIZIONI PISTONE / PISTON SEAL KIT**  
Ø 15 mm 5019.0035.00 - Ø 18 mm 5019.0037.00

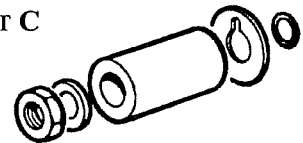
**KIT B**



5019.0035.00			5019.0037.00		
POS. ITEM	CODICE PART No.	Q.tà Qty.	POS. ITEM	CODICE PART No.	Q.tà Qty.
20	0009.0196.00	3	20	0009.0193.00	3
21	1241.0034.00	3	21	1241.0035.00	3
22	1241.0030.00	3	22	1241.0028.00	3
24	1210.0223.00	3	24	1210.0223.00	3

**KIT PISTONE / PISTON KIT**  
Ø 15 mm 2409.0071.00 - Ø 18 mm 2409.0072.00

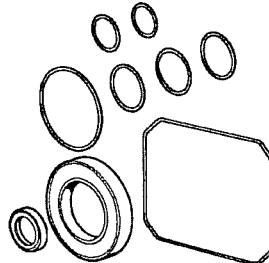
**KIT C**



2409.0071.00			2409.0072.00		
POS. ITEM	CODICE PART No.	Q.tà Qty.	POS. ITEM	CODICE PART No.	Q.tà Qty.
26	0600.0048.00	3	26	0600.0048.00	3
27	2811.0080.00	3	27	2811.0080.00	3
28	0202.0020.00	3	28	0202.0018.00	3
29	2812.0038.00	3	29	2812.0038.00	3
30	1210.0055.00	3	30	1210.0055.00	3

**KIT GUARNIZIONI POMPA / SEAL KIT**  
ALBERO MASCHIO / SOLID SHAFT 5019.0040.00  
ALBERO FEMMINA / HOLLOW SHAFT 5019.0041.00

**KIT D**



5019.0040.00			5019.0041.00		
POS. ITEM	CODICE PART No.	Q.tà Qty.	POS. ITEM	CODICE PART No.	Q.tà Qty.
4	1210.0046.00	6	4	1210.0046.00	6
9	1210.0048.00	6	9	1210.0048.00	6
14	1210.0386.00	1	14	1210.0386.00	1
24	1210.0223.00	3	24	1210.0223.00	3
25	0019.0095.00	3	25	0019.0095.00	3
30	1210.0055.00	3	30	1210.0055.00	3
36	1210.0333.00	1	36	1210.0333.00	1
37	1210.0206.00	1	37	1210.0206.00	1
40	0019.0094.00	1	46	1210.0441.00	1
46	1210.0441.00	1	55	0019.0075.00	1

**Altri KIT**  
**Other KITS**

vedi pagine:  
see pages:  
53 - 54 - 55